



VIBRATORS

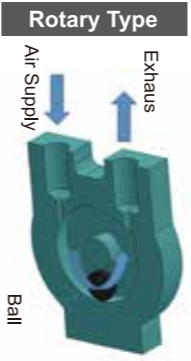
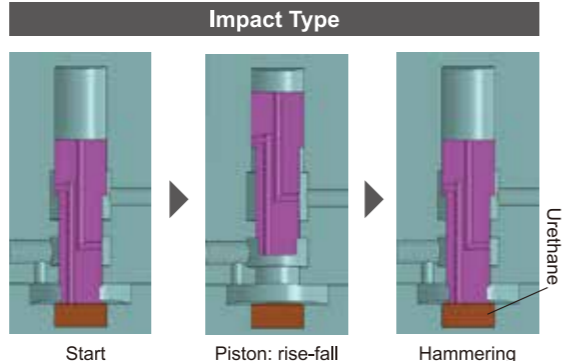
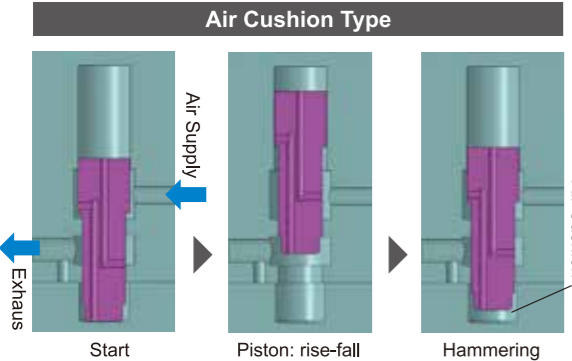


NPK's Vibrators are powerful, durable, and easily maintained to meet your material flow handling needs. They effectively vibrate on hoppers, tanks, chutes, and feeders. Our vibrators are also ideal for sanitary applications such as food and chemical industries.



Three types of Air Vibrators

- Air Cushion Type: Low noise and highly durable. Piston does not directly hit plate.
- Impact Type: Powerful and quiet featuring cushion sheet on plate for noise reduction.
- Rotary Type: Low noise and steady vibration.



Selecting ON/OFF Valve

For intermittent operation, use the 3-port, 2-position valve that releases pressure in the vibrator when stopped. Vibrators do not work properly with 2-port valve. Please place valve as close to vibrator as possible. Please see an example flow diagram for intermittent operation on page 48.

Valve sizes and estimated vibrator quantity with 1 valve.

| Model | 1/8 | 1/4 | 3/8 | 1/2 | 3/4 | 1 |
|------------|-----|-----|-----|-----|-----|---|
| NLV-1518A | 2 | 3 | 5 | | | |
| NLV-2430B | 1 | 2 | 3 | | | |
| NLV-4856A | | | 1 | 2 | 5 | |
| NLV-55 | | | 1 | 2 | 4 | |
| NLV-75A | | | | 1 | 3 | 5 |
| NLV-1518AL | 1 | 2 | 4 | | | |
| NLV-2430BL | 1 | 1 | 3 | 5 | | |
| NLV-4856AL | | | 1 | 2 | 3 | |
| NRV-30112 | 2 | 3 | 5 | | | |
| NRV-5223 | | | 1 | 2 | 5 | |



Vibrators



Air Cushion Type



Impact Type



Impact Type

Rotary Type



| Model | Code | Vibration per minute | Height | | Weight | | Bolt size | | Bolt pitch | | Air pressure | Air inlet thread | Hose size | | Average air consumption | |
|------------|-------|----------------------|--------|---------------------------------|--------|------|-----------|------|------------|-------------------------------|--------------|------------------|-----------|-----|-------------------------|------|
| | | | mm | in | kg | lb | mm | in | mm | in | | | MPa | Rc | mm | in |
| NLV-1518AL | 30054 | 3650 | 110 | 4 ⁵ / ₁₆ | 1.6 | 3.5 | 8 | - | φ 35 | 1 ³ / ₈ | 0.6 | 1/8 | 6.3 | 1/4 | 0.16 | 5.7 |
| NLV-2430BL | 30058 | 3500 | 130 | 5 ¹ / ₈ | 2.8 | 6.2 | 8 | - | φ 50 | 2 | 0.6 | 1/8 | 6.3 | 1/4 | 0.24 | 8.5 |
| NLV-4856AL | 30059 | 2050 | 220 | 8 ¹¹ / ₁₆ | 18.6 | 40.9 | 16 | - | φ 136 | 5 ³ / ₈ | 0.6 | 3/8 | 9.5 | 3/8 | 0.66 | 23.3 |
| NLV-1518A | 30053 | 4500 | 110 | 4 ⁵ / ₁₆ | 1.6 | 3.5 | 8 | - | φ 35 | 1 ³ / ₈ | 0.4 | 1/8 | 6.3 | 1/4 | 0.06 | 2.1 |
| NLV-2430B | 30057 | 3500 | 130 | 5 ¹ / ₈ | 2.8 | 6.2 | 8 | - | φ 50 | 2 | 0.4 | 1/8 | 6.3 | 1/4 | 0.08 | 2.8 |
| NLV-4856A | 30061 | 2100 | 220 | 8 ¹¹ / ₁₆ | 18.7 | 41.1 | 16 | - | φ 136 | 5 ³ / ₈ | 0.4 | 3/8 | 9.5 | 3/8 | 0.39 | 13.8 |
| NLV-55 | 30064 | 2450 | 196 | 7 ¹¹ / ₁₆ | 10.3 | 22.7 | 16 | - | φ 102 | 4 | 0.4 | 3/8 | 9.5 | 3/8 | 0.51 | 18.0 |
| NLV-75A | 30065 | 2050 | 276 | 10 ⁷ / ₈ | 32.5 | 71.5 | 22 | - | φ 148.5 | 5 ⁷ / ₈ | 0.4 | 1/2 | 12.7 | 1/2 | 0.63 | 22.2 |
| NRV-5223 | 30066 | 9400 | 111 | 4 ³ / ₈ | 2.5 | 5.5 | 12 | 1/2 | φ 130 | 4 ¹ / ₈ | 0.6 | 1/4 | 6.3 | 1/4 | 0.5 | 17.7 |
| NRV-30112 | 30169 | 18000 | 83 | 3 ¹ / ₄ | 0.4 | 0.9 | 8 | 5/16 | - | - | 0.6 | 1/8 | 6.3 | 1/4 | 0.15 | 5.3 |

Bolt Tightening

Grinding / Cutting

Scaling / Chipping

Drilling / Tapping

Material Handling

Others



One-Punch Hammers

Our One-Shot hammers deliver a strong impact with air powered pistons. They effectively remove adhesive materials from tanks, hoppers, and chutes. Impact force can be adjusted. No lubrication is required. Impact frequency can be accurately controlled with optional controller.



| Model | Code | Impact energy | | | Height | | Weight | | Average air consumption | | Recommend air pressure | | |
|--------|-------|---------------|-----------|-----------|--------|-------------------------------|--------|------|-------------------------|------|------------------------|--------------------|-------|
| | | J | kgf · m | ft · lb | mm | in | kg | lb | m ³ /min | cfm | MPa | kg/cm ² | psi |
| OPH-40 | 30309 | 14.8~44.3 | 1.51~4.53 | 10.9~32.7 | 203 | 8 | 3.0 | 6.6 | 1.0 | 35.3 | 0.2~0.6 | 2~6 | 28~85 |
| OPH-60 | 30317 | 54~108 | 5.51~11.0 | 39.9~79.6 | 245 | 9 ⁵ / ₈ | 6.6 | 14.5 | 1.5 | 53.0 | 0.3~0.6 | 3~6 | 43~85 |

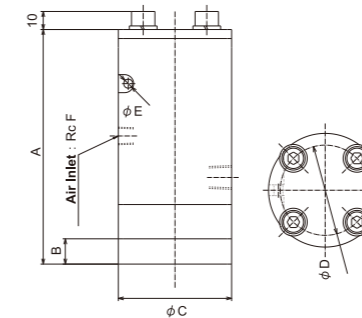
■ Installing One-Shot Hammer



Vibrators Technical Data

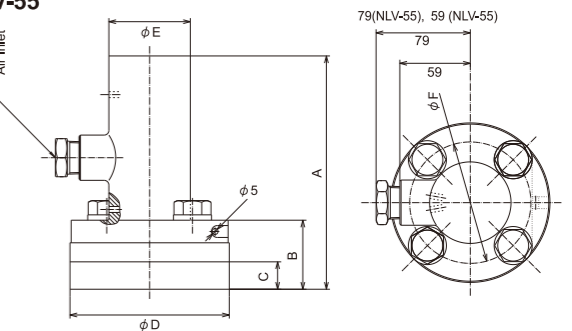
■ Vibrator

NLV-1518A/AL
NLV-2125A/AL
NLV-2430B/BL



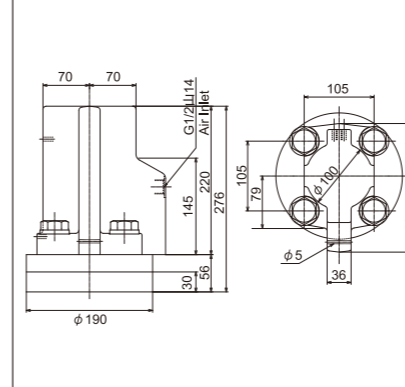
| model | A | B | C | D | E | F |
|--------------|-----|----|----|----|---|-----|
| NLV-1518A,AL | 110 | 13 | 50 | 35 | 4 | 1/8 |
| NLV-2125A,AL | 120 | 14 | 58 | 43 | 5 | 1/8 |
| NLV-2430B,BL | 130 | 14 | 63 | 50 | 5 | 1/8 |

NLV-4856A/AL
NLV-55

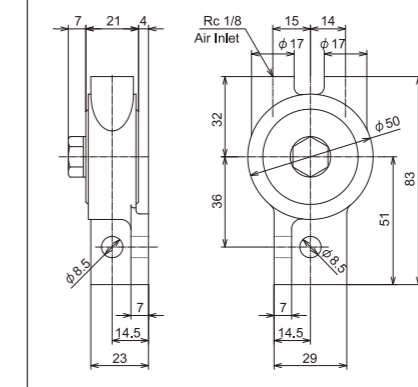


| model | A | B | C | D | E | F |
|------------------|-----|----|----|-----|------|-----|
| NLV-55 | 196 | 58 | 23 | 134 | 68.5 | 102 |
| NLV-4856A,4856AL | 220 | 64 | 23 | 170 | 97 | 136 |

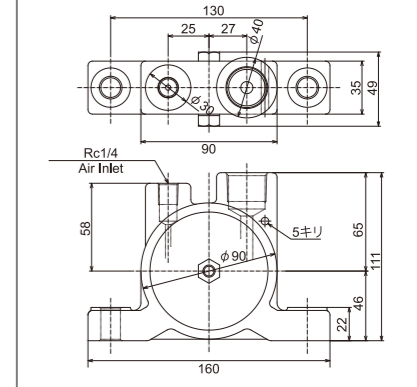
NLV-75A



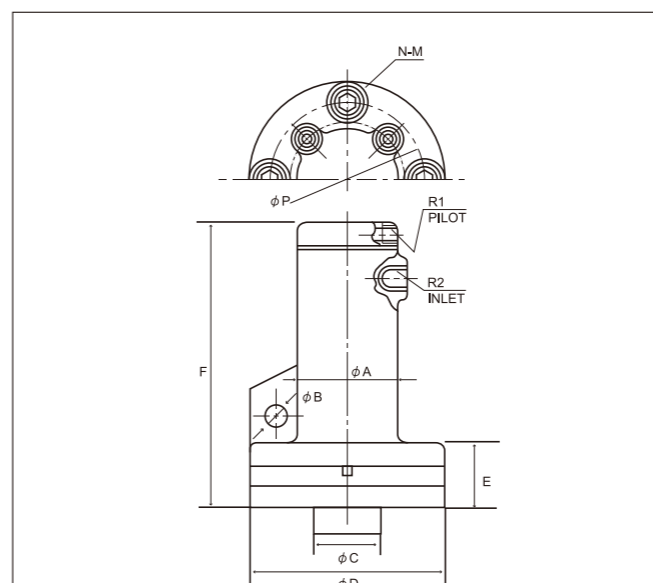
NRV-30112



NRV-5223



■ One-Punch Hammer



specifications

| model | φ A | φ B | φ C | φ D | E | F | φ P | N-M | R1 | R2 |
|--------|-----|-----|------|-----|------|-------|-----|-------|-----|-----|
| | mm | mm | mm | mm | mm | mm | mm | mm | mm | mm |
| OPH-40 | 50 | 12 | 48.6 | 95 | 33.5 | 172.5 | 75 | 4-M10 | 1/8 | 1/8 |
| OPH-60 | 70 | 20 | 76.3 | 130 | 42.5 | 204.5 | 105 | 4-M12 | 1/8 | 1/4 |

Example flow diagram for intermittent operation of 2 vibrators with 1 valve.

